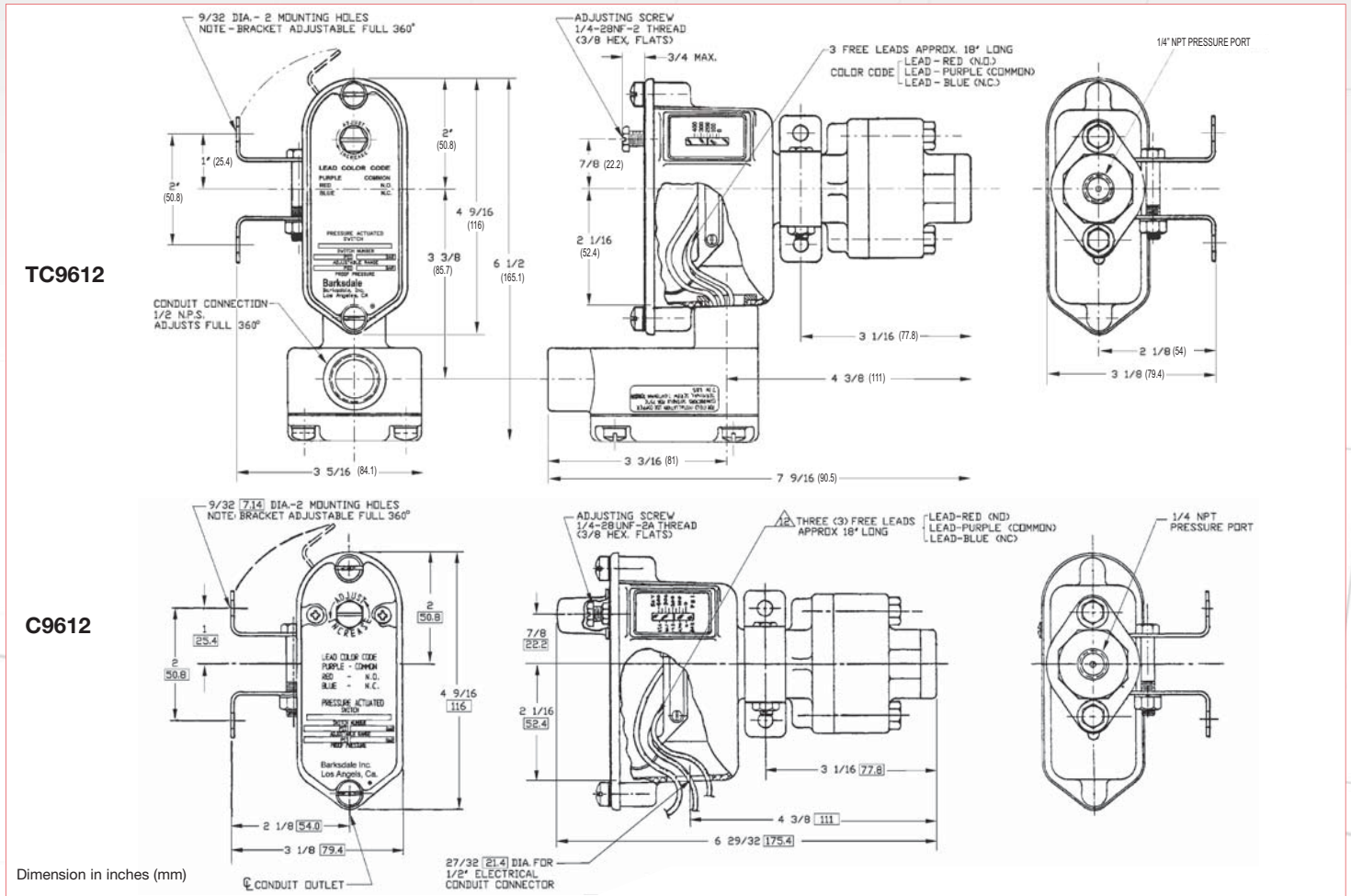


Visual Indicating Sealed Piston Switch

C9612, C9622 Series

Technical Drawing



Product Configurator

Example	T	C9612	-3	-V	-Z1
---------	---	-------	----	----	-----

T JIC Junction Box with Terminal Strip (Optional)

Base Model

C9612	Single Setpoint
C9622	Dual Setpoint

Pressure Range

- Options**
- Z Without mounting bracket
 - Z1 Cleaned for Oxygen Service
 - CS CSA Approval
 - Wxxx Extra wire length
 - Sxxx Factory pre-set (consult factory)

- O-Ring**
- Blank Buna-N (standard)
 - E Ethylene Propylene (EPR) O-ring
 - V Viton® O-ring

	Adjustable Range				Approx. Deadband (Actuation Value) psi (bar)	Proof Pressure psi (bar)
	Decreasing - psi (bar)		Increasing - psi (bar)			
	Min	Max	Min	Max		
-0	15 (1.0)	170 (11.6)	18 (1.2)	200 (13.6)	3 - 30 (0.2 - 2.0)	3000 (204.1)
-1	35 (2.4)	340 (23.1)	40 (2.7)	400 (27.2)	5 - 60 (0.3 - 4.1)	3000 (204.1)
-2	125 (8.5)	1360 (92.5)	135 (9.2)	1500 (102.0)	10 - 140 (0.7 - 9.5)	7000 (476.2)
-3	250 (17.0)	2650 (180.3)	280 (19.0)	3000 (204.1)	30 - 350 (2.0 - 23.8)	7000 (476.2)